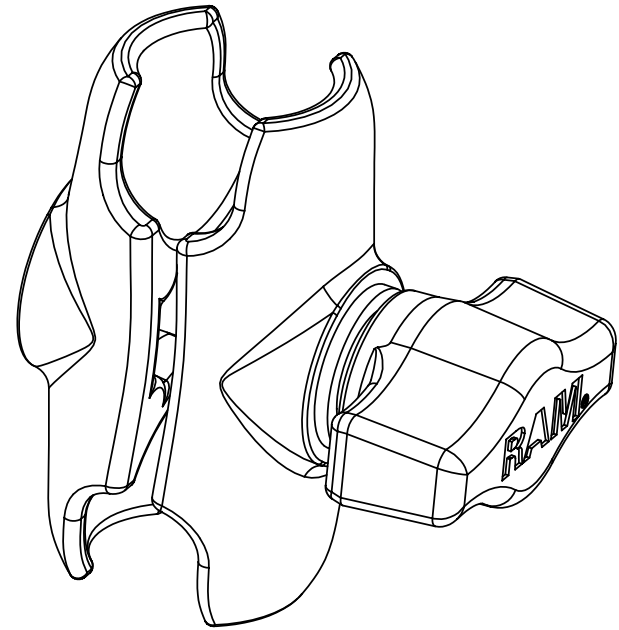
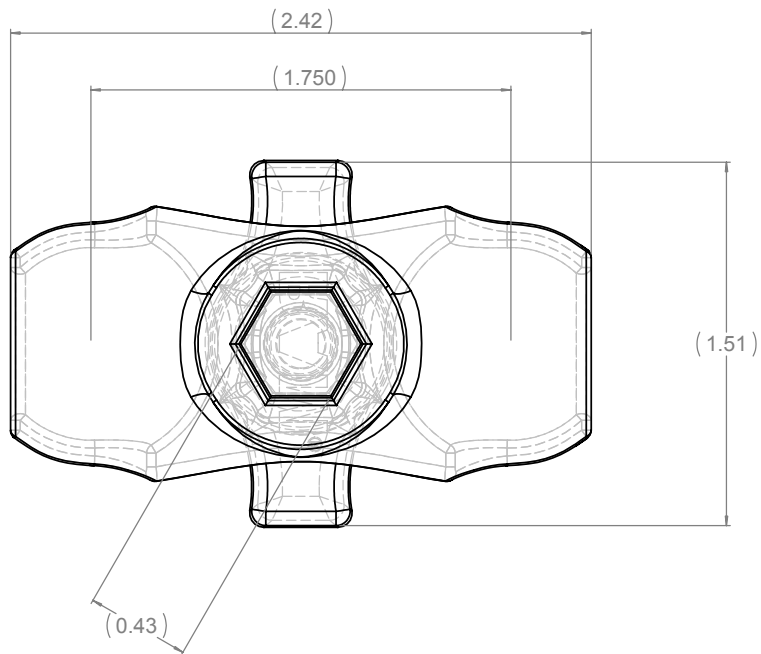
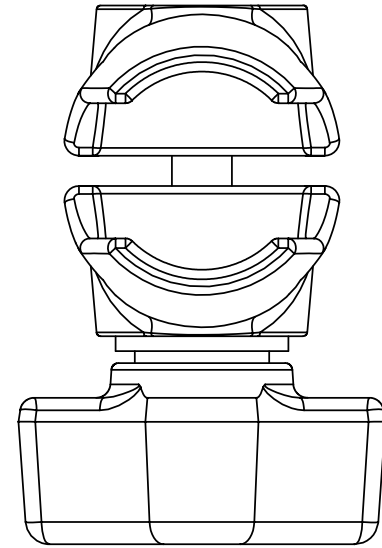
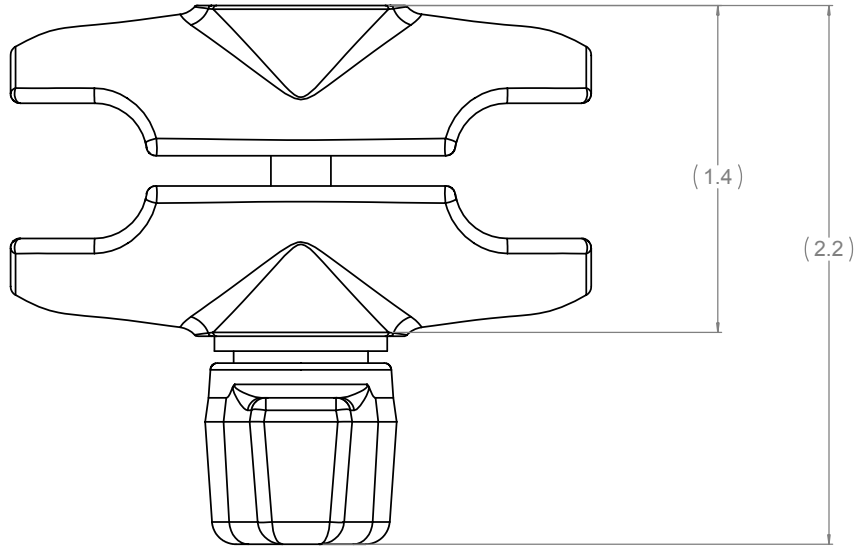


THE INFORMATION CONTAINED IN THIS DRAWING IS THE SOLE PROPERTY OF NATIONAL PRODUCTS INC. ANY REPRODUCTION IN PART OR WHOLE WITHOUT THE WRITTEN PERMISSION OF NATIONAL PRODUCTS INC. IS PROHIBITED.

REVISIONS		DATE	APPROVED
REV.	DESCRIPTION		



UNLESS OTHERWISE SPECIFIED: DIMENSIONS ARE IN INCHES TOLERANCES ARE: FRACTIONS: DECIMALS ANGLES +/- 1/32 .XX+ .06 +/- 1 DEG. .XXX+ .030	CAD GENERATED DRAWING. DO NOT MANUALLY UPDATE	NATIONAL PRODUCTS INC.	
MATERIAL: ALUMINUM	APPROVALS: JDC 10/24/02	DATE: 10/26/02	RAM MOUNT WITH 2- 2.43" DIA. BASES & 1.5" DIA. RUBBER BALLS D LENGTH ARM
FINISH: BLACK POWDER COAT	CHECKED: CMR 10/26/02	RESP ENG:	OWG. NO.: RAM-B-201-A
DO NOT SCALE DRAWING	MFG ENG:	QUAL ENG:	SCALE: 1 TO 1 CAD FILE: RAMB201A SHEET 1 OF 1