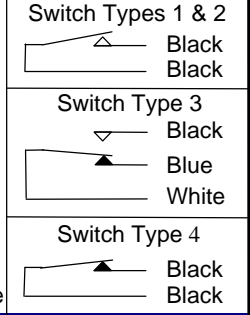
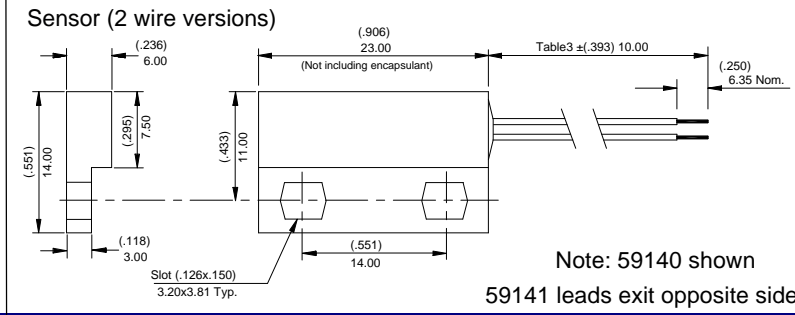
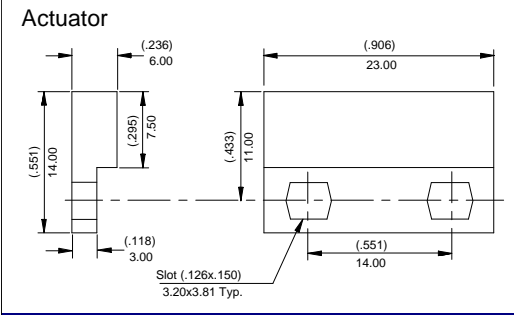




- |  |  |   |
|--|--|---|
| <b>Features</b> <ul style="list-style-type: none"> <li>• Magnetically operated position sensor</li> <li>• Matching actuator available</li> <li>• Compact size requires only 3.2cm<sup>2</sup> board space</li> <li>• Screw down or adhesive mounting</li> <li>• Customer defined sensitivity</li> <li>• Choice of cable length and connector</li> <li>• Leads can exit from LH or RH side</li> </ul> | <b>Benefits</b> <ul style="list-style-type: none"> <li>• No standby power requirement</li> <li>• Operates through non-ferrous materials such as wood, plastic or aluminium</li> <li>• Hermetically sealed, magnetically operated contacts continue to operate long after optical and other technologies fail due to contamination</li> </ul> | <b>Applications</b> <ul style="list-style-type: none"> <li>• Position and limit sensing</li> <li>• Security system switch</li> <li>• Linear actuators</li> <li>• Door switch</li> </ul> |
|--|--|---|

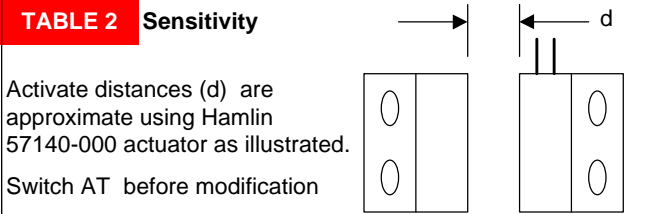
**DIMENSIONS (in) mm** **SCHEMATICS**



**CUSTOMER OPTIONS - Switching Specifications**

TABLE 1 Switch Type		Select Option	1	2	3	4
		Contact Type	Normally Open	Normally Open High V.	Change Over	Normally Closed
Contact Rating	Power	Watts - max	10	10	5	5
Voltage	Switching	Vdc - max.	200	300	175	175
	Breakdown	Vdc - min.	250	450	200	200
Current	Switching	A - max.	0.5	0.5	0.25	0.25
	Carry	A - max.	1.2	1.5	1.5	1.5
Resistance	Contact, Initial	Ohms - max.	0.2	0.2	0.2	0.2
	Insulation	Ohms - min.	10 <sup>10</sup>	10 <sup>10</sup>	10 <sup>9</sup>	10 <sup>9</sup>
Temperature	Operating	°C	-40 to +105	-20 to +105	-40 to +105	-40 to +105
	Storage	°C	-65 to +105	-65 to +105	-65 to +105	-65 to +105
Time	Operate	ms - max.	1.0	1.0	3.0	3.0
	Release	ms - max.	1.0	1.0	3.0	3.0
Capacitance	Contact	pF - typ.	0.3	0.2	0.3	0.3
Shock	11ms ½ sine	G - max.	100	100	50	50
Vibration	50-2000 Hz.	G - max.	30	30	30	30

**CUSTOMER OPTIONS - Sensitivity, Cable Length and Termination Specifications**



**TABLE 3 Cable Length**

(Cable 24AWG 7/32 PVC 105°C UL1430 / ULI569)

Select Option	Length(in)mm
01	(3.94) 100
02	(11.81) 300
03	(19.69) 500
04	(29.53) 750
05	(39.37) 1,000

**TABLE 4 Termination (2 wire versions shown)**

Select Option	Description	Diagram
A	Tinned leads	
B	Crimped bootlace	
C	6.35mm fastons	
D	AMP MTE 2.54mm	
E	JST XHP 2.5mm	
F	Untinned leads	

Select Option	S		T		U		V	
Switch Type	Pull-In AT Range	Activate Distance (d) (in)mm	Pull-In AT Range	Activate Distance (d) (in)mm	Pull-In AT Range	Activate Distance (d) (in)mm	Pull-In AT Range	Activate Distance (d) (in)mm
1	12-18	(.453)	17-23	(.374)	22-28	(.315)	27-33	(.295)
2		11.5		9.5		8.0		7.5
3	15-20	(.413)	20-25	(.354)	25-30	(.295)		
4		10.5		9.0		7.5		

**ORDERING INFORMATION**

Series 59140/59141 — **59140/59141** — **X** **X** **XX** **X**

Switch Type — Table 1 (1, 2, 3 or 4)

Sensitivity — Table 2 (S, T, U or V)

Cable Length — Table 3 (01, 02, 03, 04 or 05)

Termination — Table 4 (A, B, C, D, E or F)