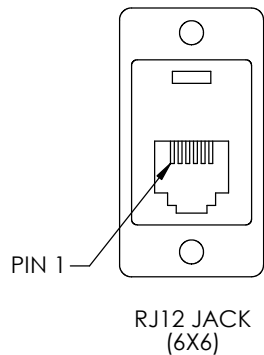
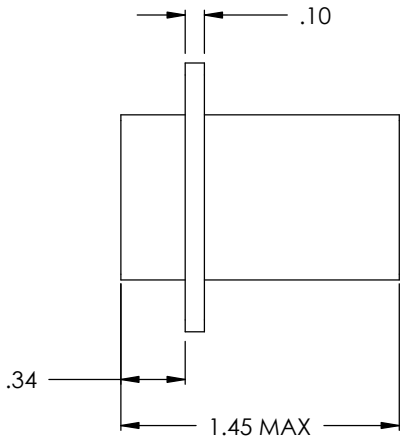
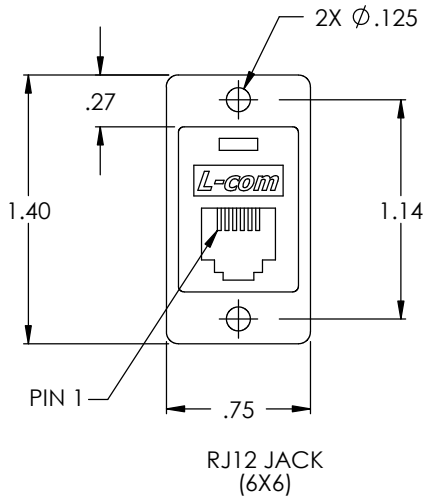


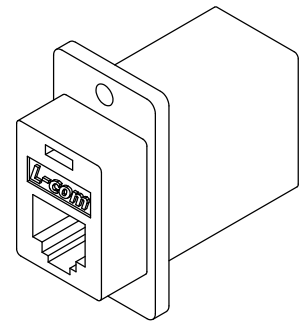
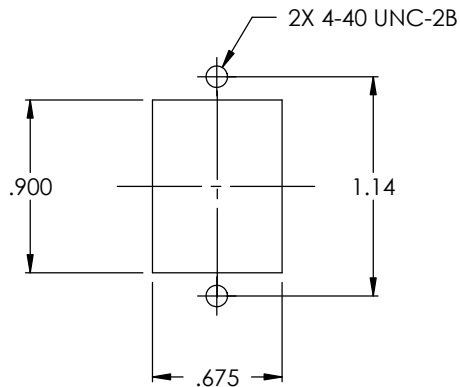
THE INFORMATION CONTAINED IN THIS DRAWING IS THE SOLE PROPERTY OF L-COM, INC. ANY REPRODUCTION IN PART OR WHOLE WITHOUT THE WRITTEN PERMISSION OF L-COM, INC. IS PROHIBITED.

REVISIONS			
REV	DESCRIPTION	DATE	APPROVED
A	RELEASED FOR PRODUCTION	05/04/01	MCCORMICK
B	REVISED PER ECN# 1034	12/03/01	MCCORMICK
C	ADDED PROD VALIDATION, DELETED METRIC DIMS (ECN1313)	02/22/03	DFP
D	ECN1622: ADDED COMPONENT SPECIFICATION TABLE	12/15/03	DFP



Component Specification	
Material	
Housing	ABS, UL94V-0 compliant Color: Black
Contacts	Phosphor Bronze
Contact Plating	Gold, 50 pinches over nickel plating
Design	
Jack	Compliant to FCC 68.5 Subpart F
Electrical	
Current Rating	2 Amp (max)
Voltage Rating	140 VDC
Environmental	
Operating Temperature Range	-20°C to +80°C
Application	
Rating	Category 3
Wiring	Straight Through

CS-154



RECOMMENDED
PANEL CUT OUT

UNLESS OTHERWISE SPECIFIED,
DIMENSIONS ARE IN INCHES
TOLERANCES ARE:
.X ±.1
.XX ±.05
.XXX ±.005
CABLE LENGTH TOLERANCE
<300" ±5% >300" ±2%

APPROVALS	DATE
DRAWN BY McCORMICK	04/04/01
CHECKED BY D.PARHAM	05/04/01
APPROVED BY R.CARRICK	05/04/01

CONFIGURATION DETAILS OF
UNDIMENSIONED FEATURES
MAY VARY

L-com CONNECTIVITY PRODUCTS		45 BEECHWOOD DRIVE NORTH ANDOVER, MA 01845	
PRODUCT DESCRIPTION RJ12 (6 X 6) STRAIGHT WIRED COUPLER			
DRAWING TITLE OUTLINE DRAWING			
SIZE A	FSCM NO. 43321	DWG. NO. ECF504B-6S-OD1	REV. D
SCALE: NONE		CAD FILE: ECF504B-6S-OD1.SLDDRW	SHEET 1 OF 1