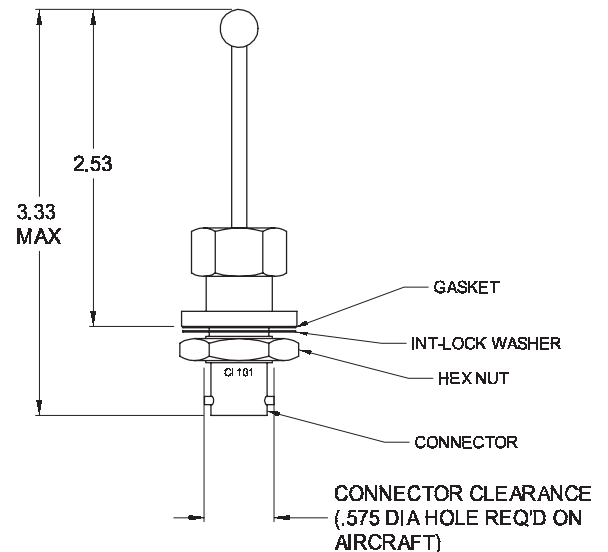


Frequency • 1030-1090 MHz

Transponder antenna with top loaded stub monopole. Antenna radiator is mechanically captivated and is machined from solid brass for impact resistance. Contact points are made from beryllium copper. Metallic parts are plated with bright nickel for corrosion protection. Mounts through a single 0.600" diameter mounting hole.



MODEL	CI 101 Transponder
Electrical	
Frequency	1030 to 1090 MHz
VSWR	1.3:1 1030 MHz 1.25:1 1090 MHz
Polarization	Vertical
Radiation Pattern	Equivalent of $\lambda / 4$ Stub
Impedance RF	50 Ohms
Resistance DC	Open Circuit
Power RF	1.0 KW Peak Average
Mechanical	
Weight	0.06 lb. Maximum
Height	3.33 in. Maximum
Material	Brass
Finish	Tin-nickel Alloy
Connector	BNC (female)
Environmental	
Temperature	-54°C to +55°C
Altitude	30,000 ft.
Air Speed	300 Knots TAS
Connector	
RTCA Environmental	DO-138
Environmental Category	BAJXXXXXXXXXX
FAA TSO	C74c
RTCA MOPS	DO-144
ORDER OPTIONS	
Connector	
BNC	Standard



Warning: Drawing not to scale. Use factory supplied drawings and specifications for installation. Call Comant for updated drawings.
©2004 Comant Industries Inc. Patented. Other Patents Pending