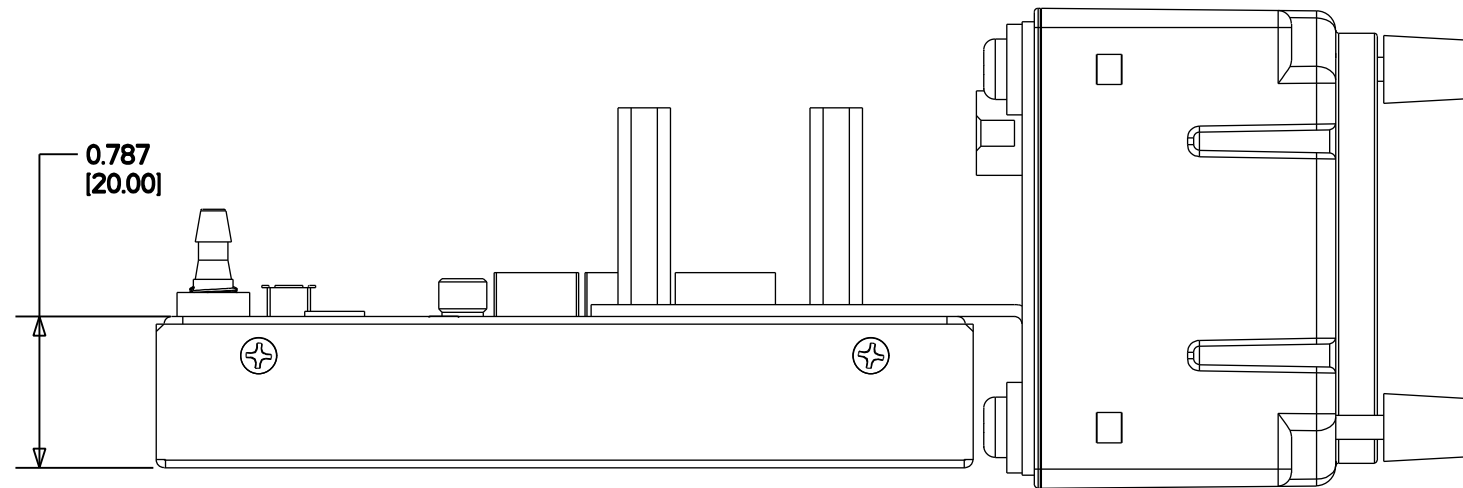
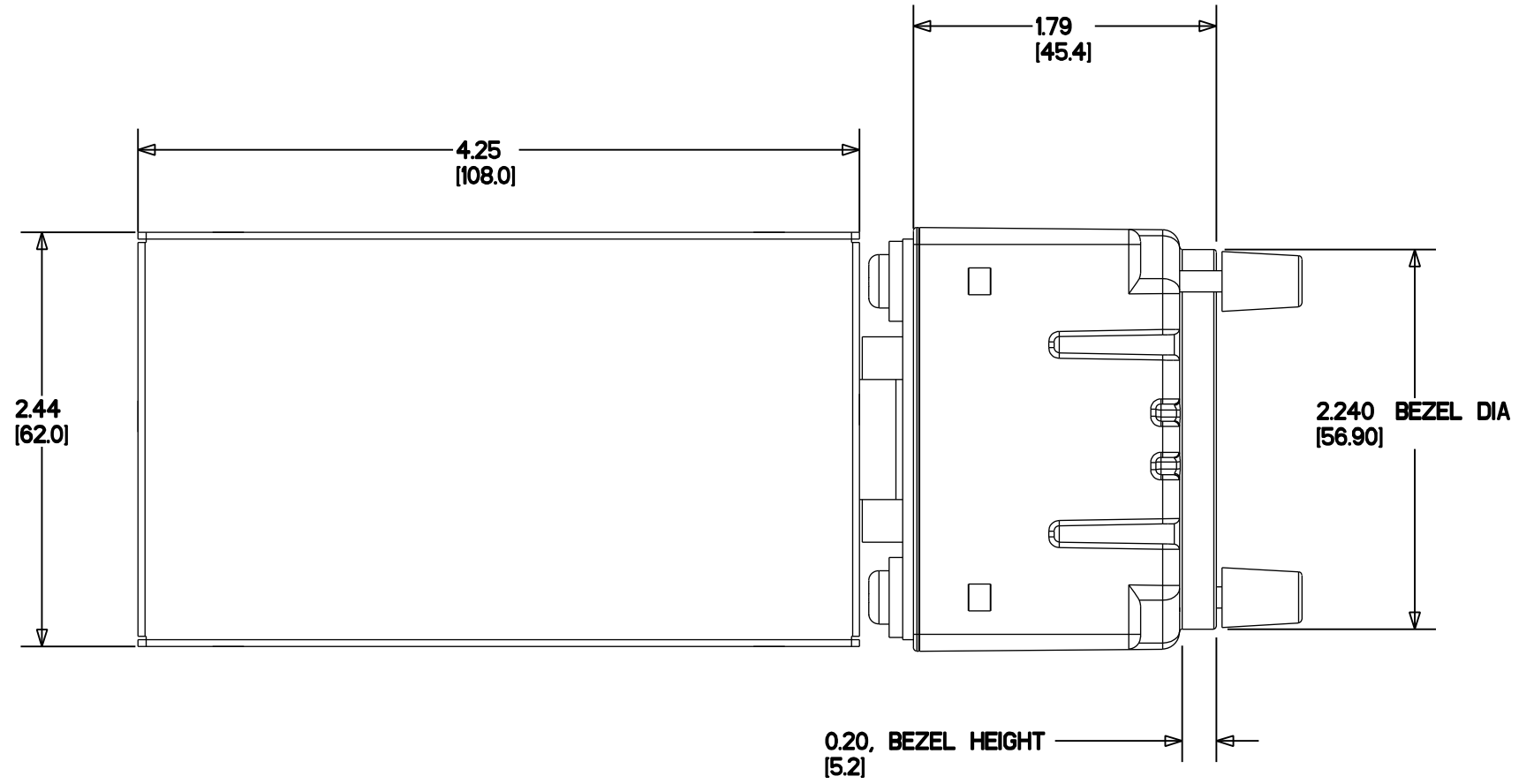
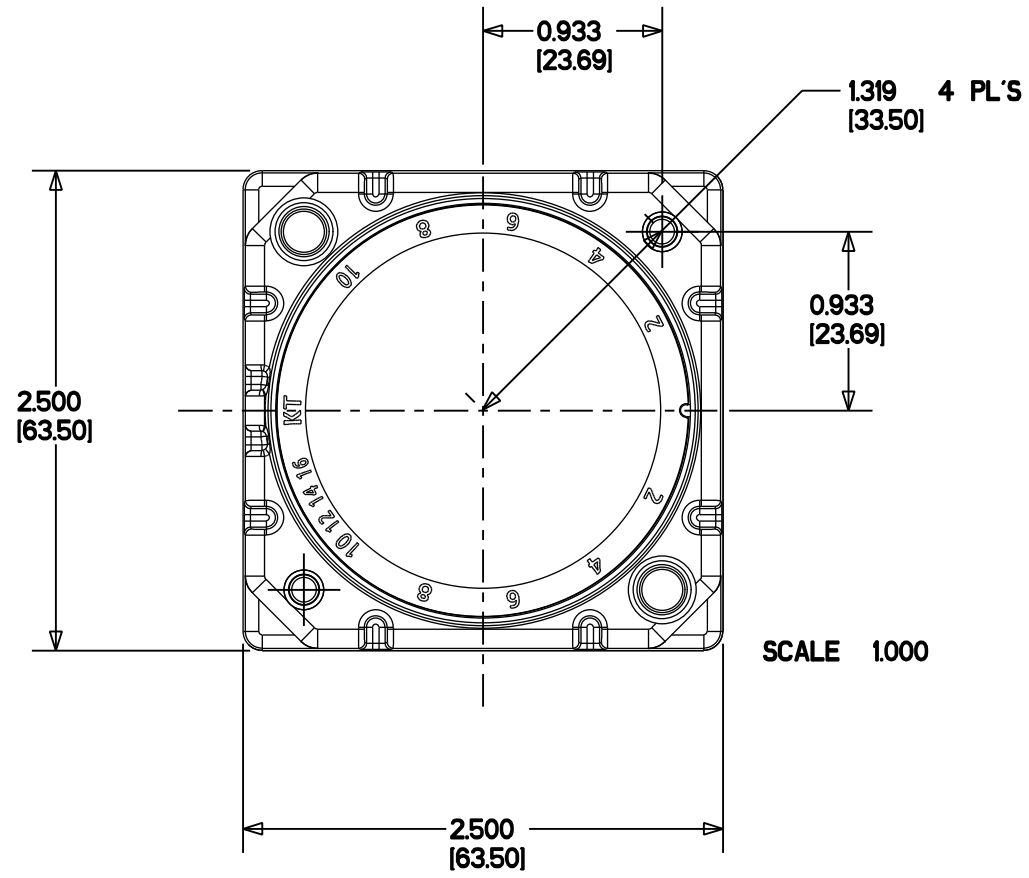


NOTE 1: REMOVING THESE TWO SCREWS ALLOWS THE ADC TO BE SEEPARATED FROM THE DISPLAY SO IT TO BE SEPARATELY MOUNTED. IT MUST HOWEVER BE INSTALLED IN THE SAME ORIENTATION.

NOTE 2: NEITHER SIDE OF THE SPEAKER OUTPUT CAN BE GROUNDED

CLEARNAV INSTRUMENTS		
	CN PART #	N/A
REVISION #		DATE: 2011-09-08
UNITS: INCHES (MM)		TOL+/-:
MODEL NAME: model_name.1		
DWG NAME: INSTALLATION.REF		
SHEET 1		OF 2

REV. #	DATE	NOTES



CLEARNAV INSTRUMENTS	
CN PART #	N/A
REVISION #	DATE: 2011-09-08
UNITS: INCHES (MM)	TOL +/-:
MODEL NAME: TOP PRODUCT	
DWG NAME: INSTALLATION.REF	
SHEET 2	OF 2